



122 Taper KIT -Drilling Sequence

I. Compatibility



TSIII Fixture, SSIII Fixture, USIII Fixture, TSIV Fixture, USIV Fixture

- Diameter : Ø3.0, Ø3.5, Ø4.0, Ø4.5, Ø5.0, Ø5.5



TSIII



SSIII



USIII



TSIV

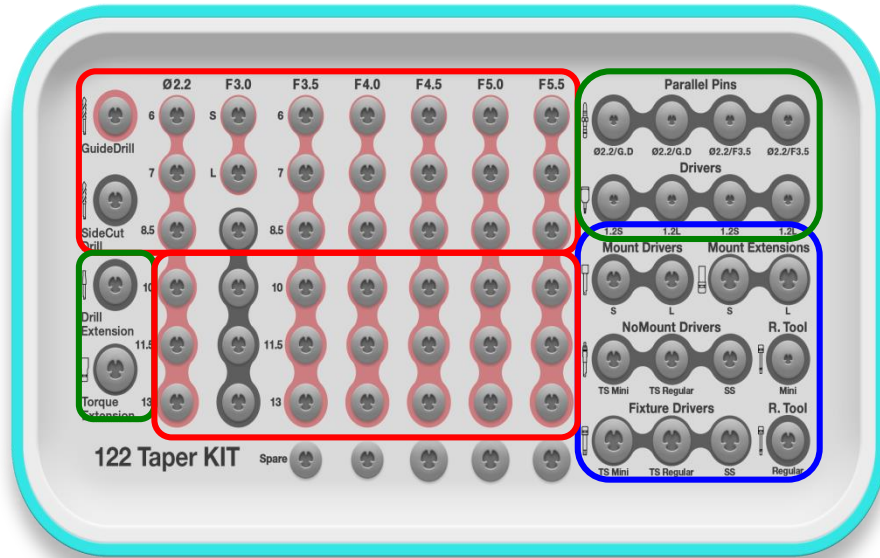


USIV

II. Components



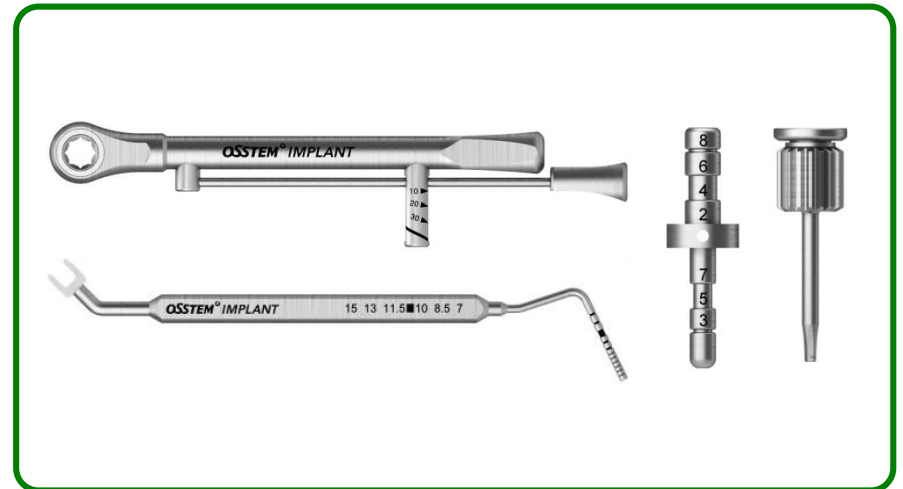
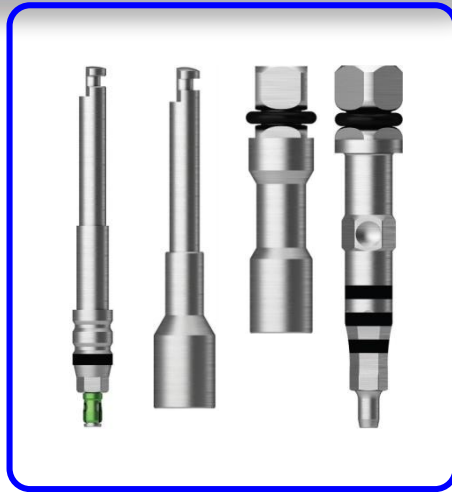
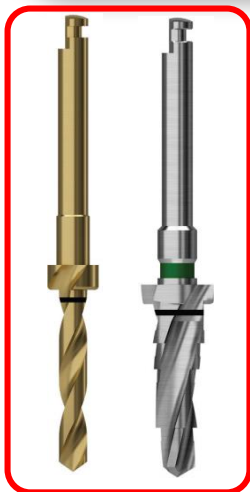
122 Taper KIT Components



Surgical Drills

Implant Drivers

Prosthetic Drivers and others

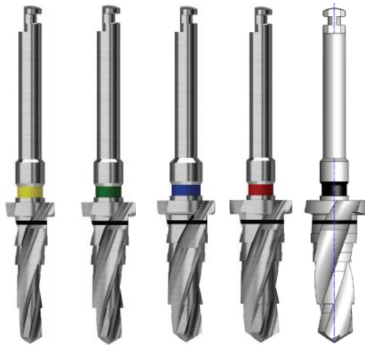


II. Components



122 Taper KIT Components

Surgical Drill



Taper Drill



Guide Drill



Ø2.2 Drill



Ø2.7 Drill (S/ L)



SideCut Drill

Implant Driver



NoMount Driver



Mount Driver



Fixture Driver



Mount Extension

II. Components



122 Taper KIT Components

Prosthetic Driver



Hand Driver



Torque Driver

Others



Drill Extension



Parallel Pin



Depth Gauge



Torque Wrench (bar)



Torque Extension













Mount Removal Tool

III. Sequence



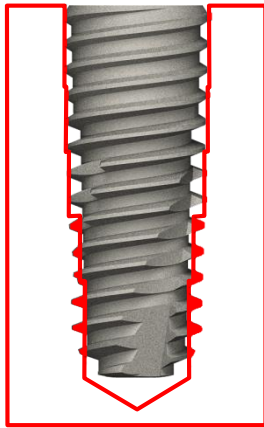
Final drill for each diameter

Ø3.0 Fixture	Ø2.7 Twist Drill	Ø3.5 Fixture	F3.5 Taper Drill	Ø4.0 Fixture	F4.0 Taper Drill	Ø4.5 Fixture	F4.5 Taper Drill	Ø5.0 Fixture	F5.0 Taper Drill
									

III. Sequence



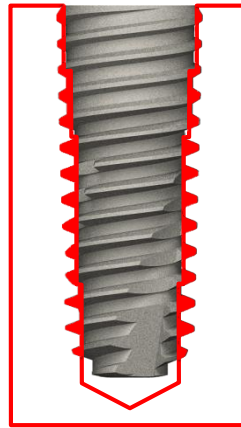
Final drill by bone quality



Hard Bone



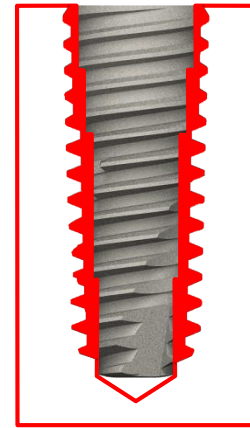
Bigger drill



Normal Bone



Final Drill



Soft Bone







Smaller drill

III. Sequence







Ø3.0 Taper Fixture

Ø3.0 Fixture	<i>Hard Bone</i>	<i>Normal Bone</i>	<i>Soft Bone</i>
	F3.5 Taper Drill	Ø2.7 Drill	Ø2.2 Drill
			

III. Sequence







Ø3.5 Taper Fixture

Ø3.5 Fixture	<i>Hard Bone</i>	<i>Normal Bone</i>	<i>Soft Bone</i>
	F4.0 Taper Drill	F3.5 Taper Drill	Ø2.7 Drill
			

III. Sequence







Ø4.0 Taper Fixture

Ø4.0 Fixture	<i>Hard Bone</i>	<i>Normal Bone</i>	<i>Soft Bone</i>
	F4.5 Taper Drill 	F4.0 Taper Drill 	F3.5 Taper Drill 

III. Sequence







Ø4.5 Taper

Ø4.5 Fixture	<i>Hard Bone</i>	<i>Normal Bone</i>	<i>Soft Bone</i>
	F5.0 Taper Drill	F4.5 Taper Drill	F4.0 Taper Drill
			

III. Sequence



Ø5.0 Taper Fixture

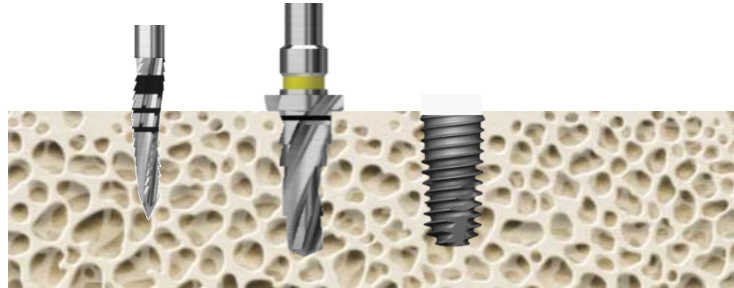
Ø5.0 Fixture	<i>Hard Bone</i>	<i>Normal Bone</i>	<i>Soft Bone</i>
	F5.5 Taper Drill	F5.0 Taper Drill	F4.5 Taper Drill
			

III. Sequence

122 Taper KIT Drilling Sequence

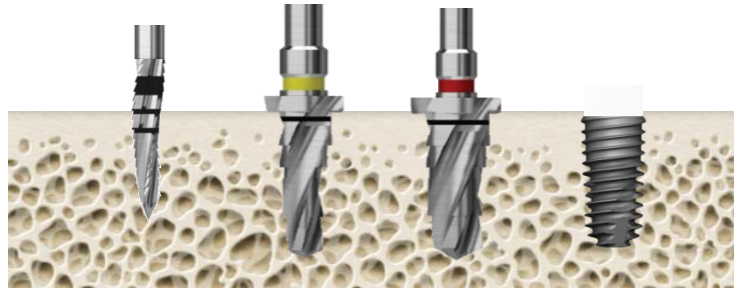


Soft Bone



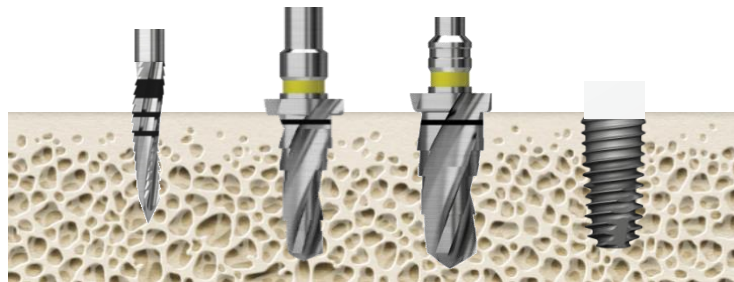
1 step

Normal Bone



2 steps

Hard Bone



2 steps



TSIII Ø3.0 Fixture

Taper KIT Drilling Sequence

III. Sequence



III Ø3.0 Fixture – Soft Bone

1 step



Final Drill

Bone quality	Ø2.2 Drill	Implanting
Soft	▶	

III. Sequence



III Ø3.0 Fixture – Normal Bone



1 step

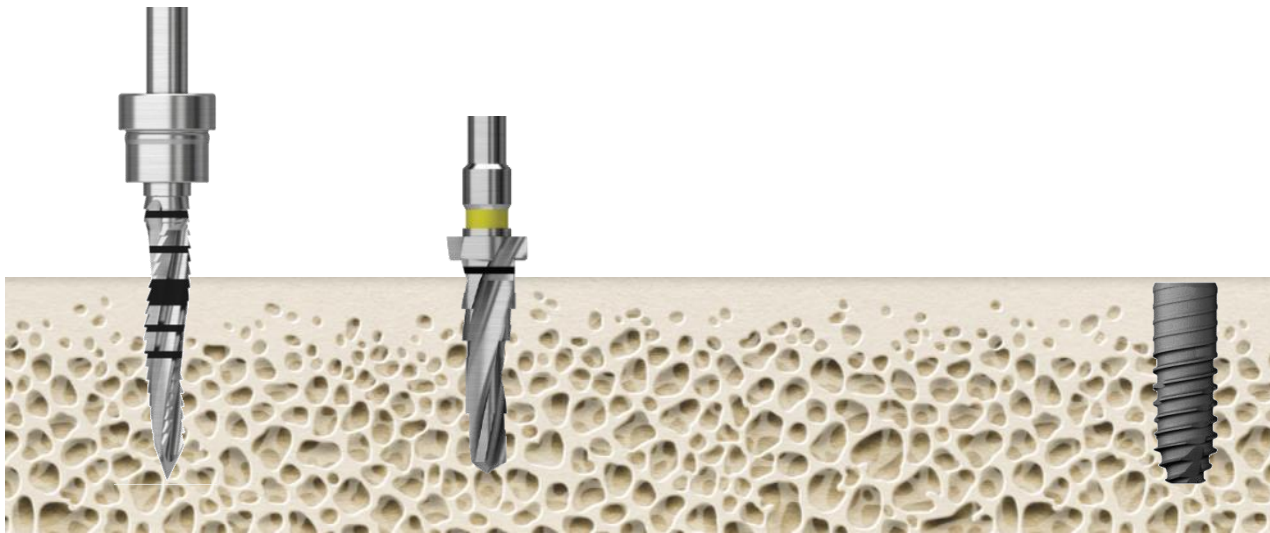
		Final Drill	
Bone quality	Guide Drill	Ø2.7 Drill	Implanting
Normal	▶	▶	

III. Sequence



III Ø3.0 Fixture – Hard Bone

1 step



		Final Drill	
Bone quality	Guide Drill	F3.5 Taper Drill	Implanting
Hard	▶	▶	



TSIII Ø3.5 Fixture

Taper KIT Drilling Sequence

III. Sequence



III Ø3.5 Fixture – Soft Bone

1 step



Final Drill

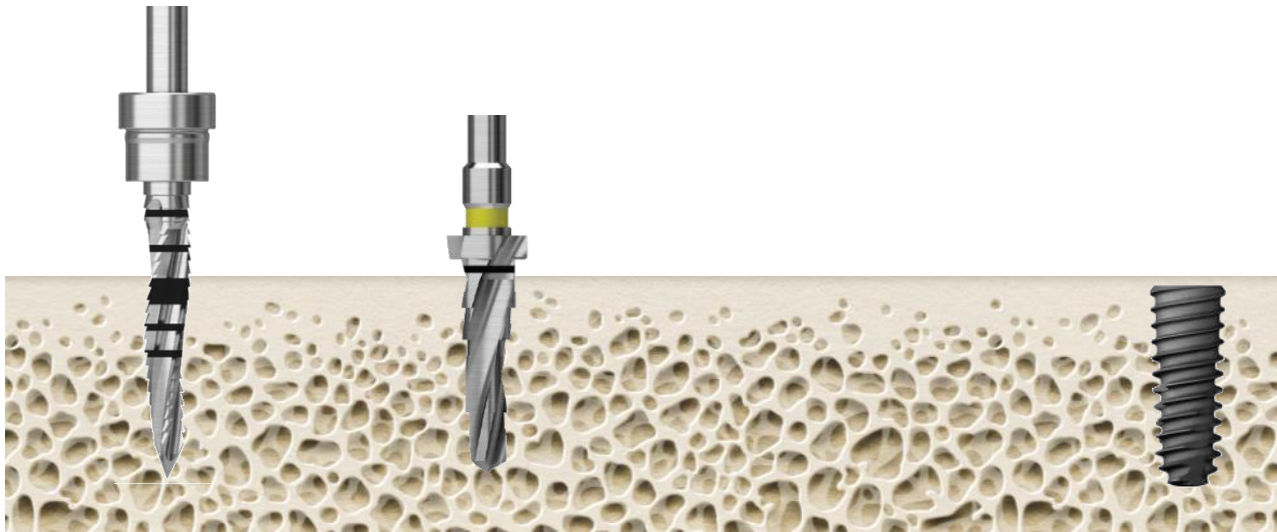
Bone quality	Guide Drill	Ø2.7 Drill	Implanting
Normal	▶	▶	

III. Sequence



III Ø3.5 Fixture – Normal Bone

1 step



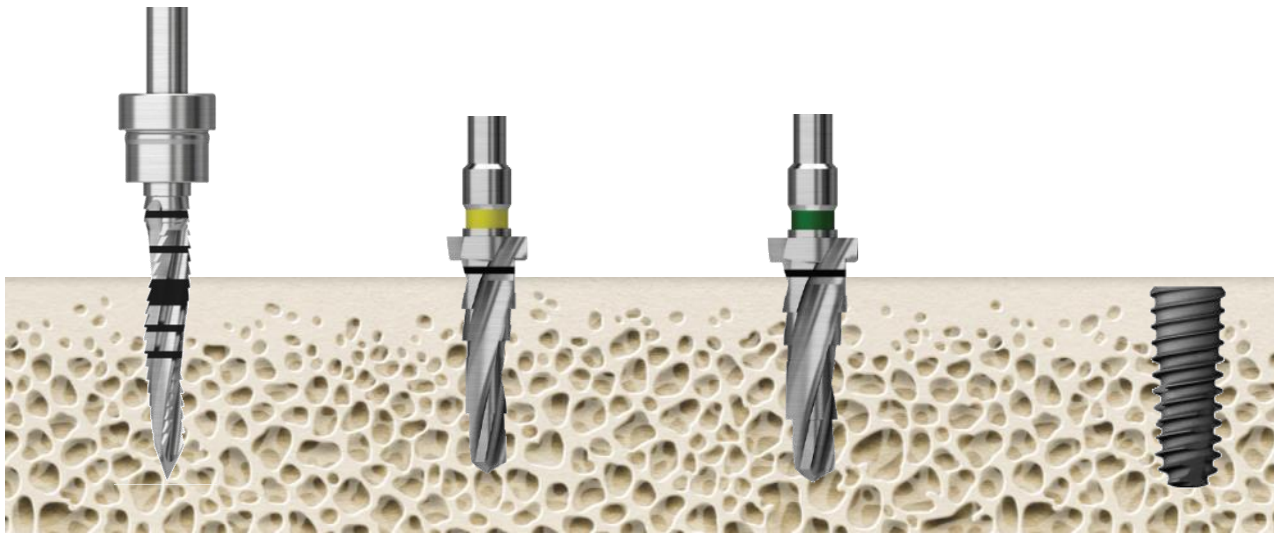
		Final Drill	
Bone quality	Guide Drill	F3.5 Taper Drill	Implanting
Normal	▶	▶	

III. Sequence



III Ø3.5 Fixture – Hard Bone

2 steps



		Initial Drill	Final Drill	
Bone quality	Guide Drill	F3.5 Taper Drill	F4.0 Taper Drill	Implanting
Hard	▶	▶	▶	



TSIII Ø4.0 Fixture

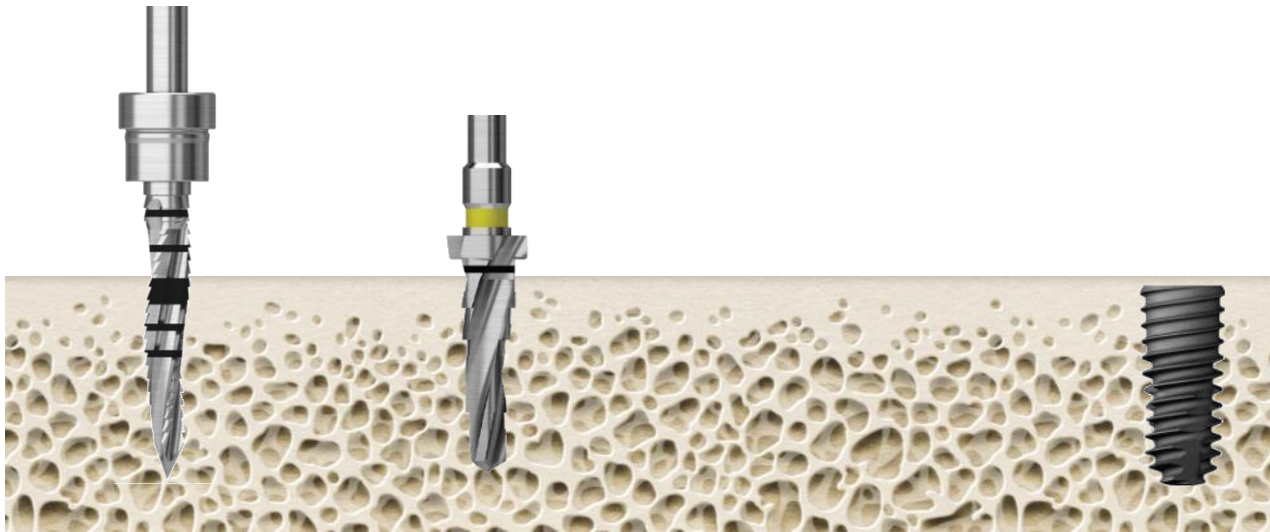
Taper KIT Drilling Sequence

III. Sequence



III Ø4.0 Fixture – Soft Bone

1 step



Final Drill

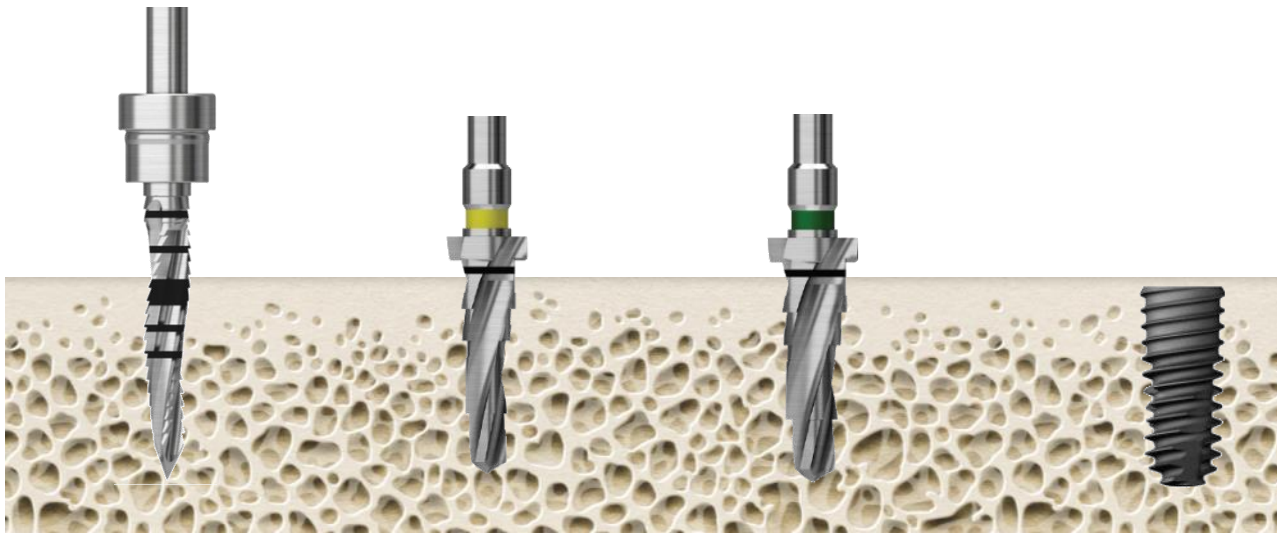
Bone quality	Guide Drill	F3.5 Taper Drill	Implanting
Soft	▶	▶	

III. Sequence



III Ø4.0 Fixture – Normal Bone

2 steps



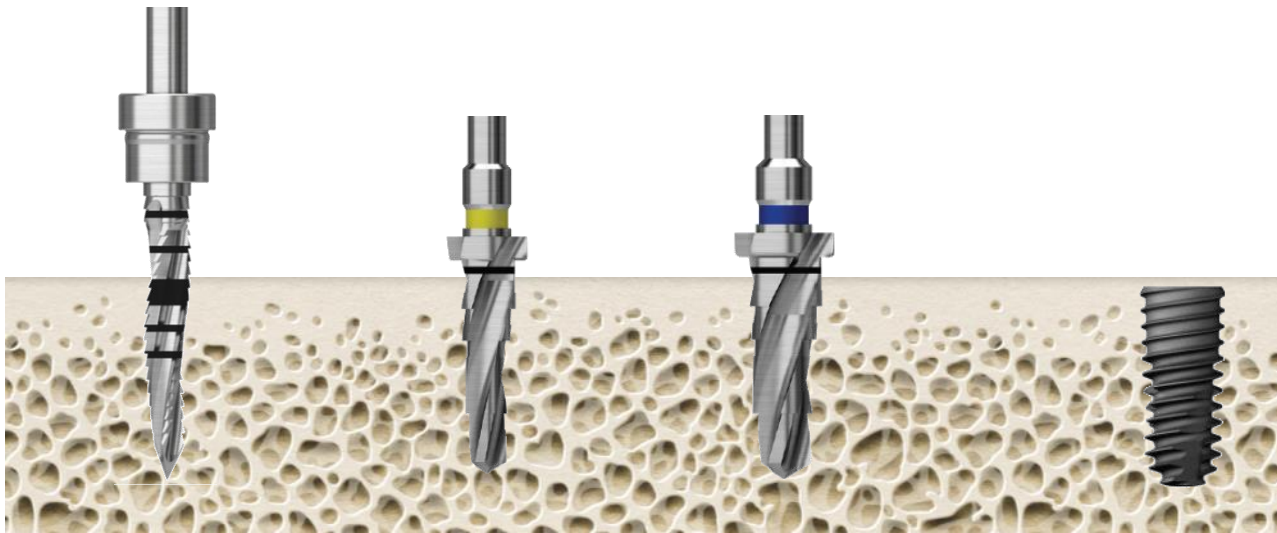
		Initial Drill	Final Drill	
Bone quality	Guide Drill	F3.5 Taper Drill	F4.0 Taper Drill	Implanting
Normal	▶	▶	▶	

III. Sequence



III Ø4.0 Fixture – Hard Bone

2 steps



		Initial Drill	Final Drill	
Bone quality	Guide Drill	F3.5 Taper Drill	F4.5 Taper Drill	Implanting
Hard	▶	▶	▶	



TSIII Ø4.5 Fixture

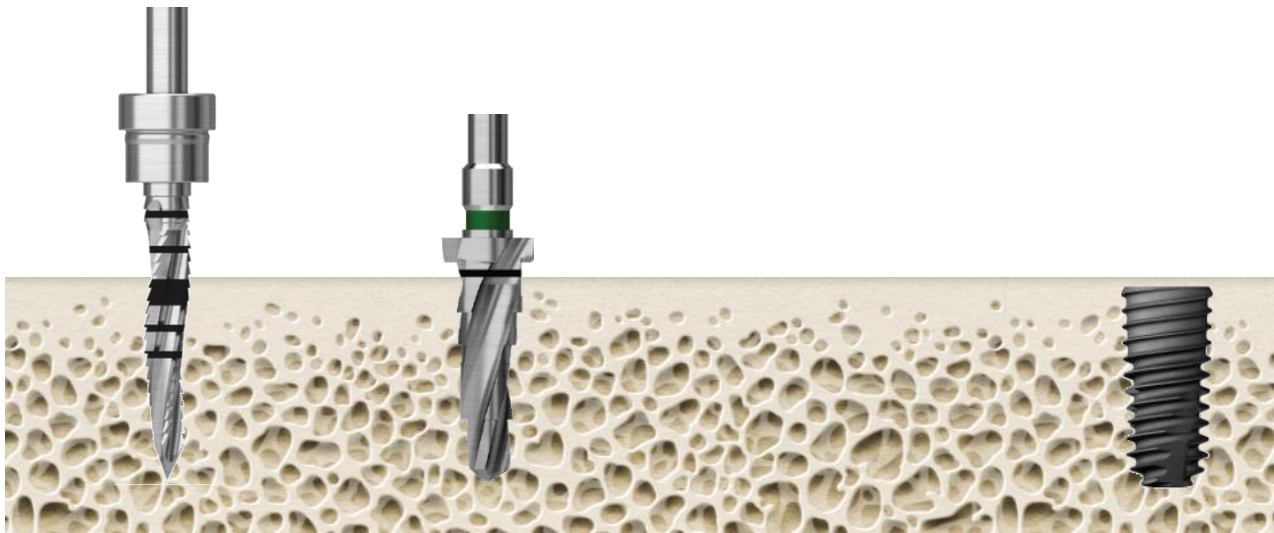
Taper KIT Drilling Sequence

III. Sequence



III Ø4.5 Fixture – Soft Bone

1 step



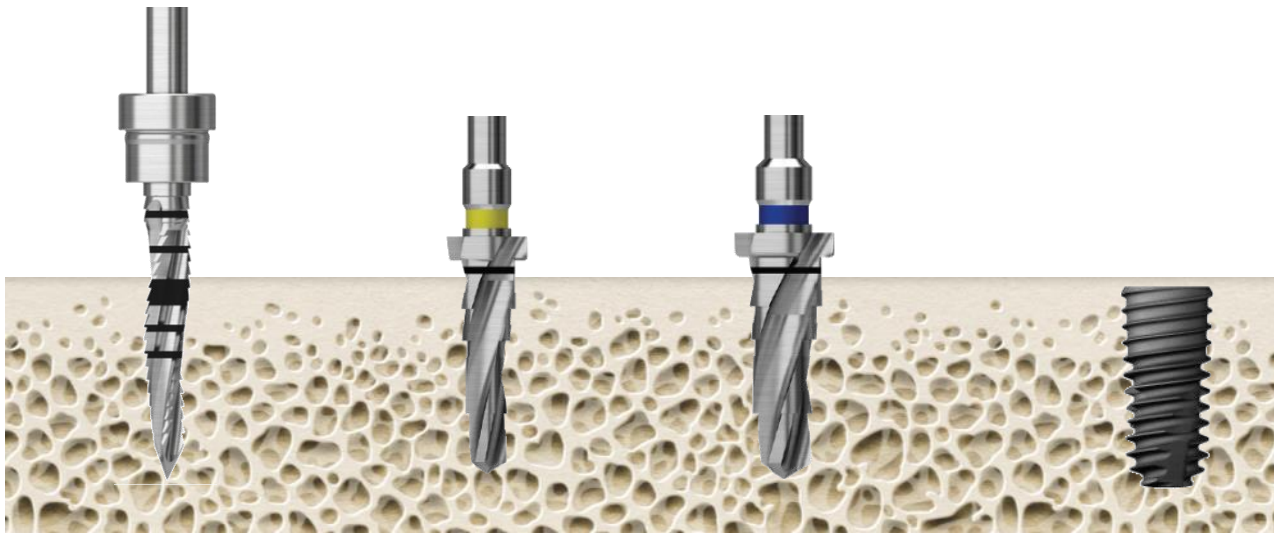
		Final Drill	
Bone quality	Guide Drill	F4.0 Taper Drill	Implanting
Soft	▶	▶	

III. Sequence



III Ø4.5 Fixture – Normal Bone

2 steps



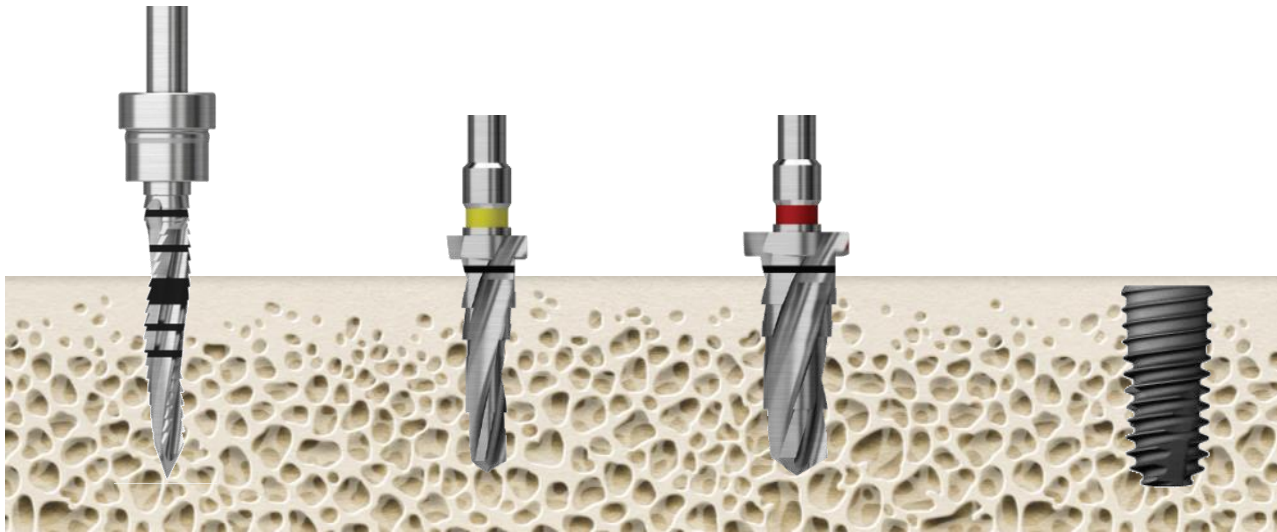
		Initial Drill	Final Drill	
Bone quality	Guide Drill	F3.5 Taper Drill	F4.5 Taper Drill	Implanting
Normal	▶	▶	▶	

III. Sequence



III Ø4.5 Fixture – Hard Bone

2 steps



		Initial Drill	Final Drill	
Bone quality	Guide Drill	F3.5 Taper Drill	F5.0 Taper Drill	Implanting
Hard	▶	▶	▶	



TSIII Ø5.0 Fixture

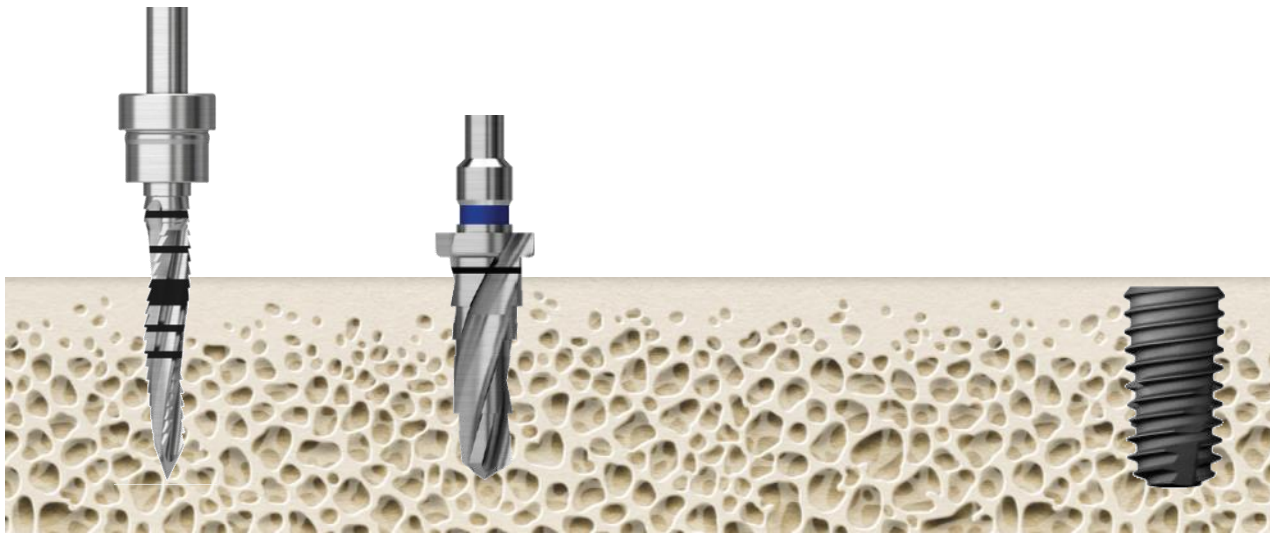
Taper KIT Drilling Sequence

III. Sequence



III Ø5.0 Fixture – Soft Bone

1 step

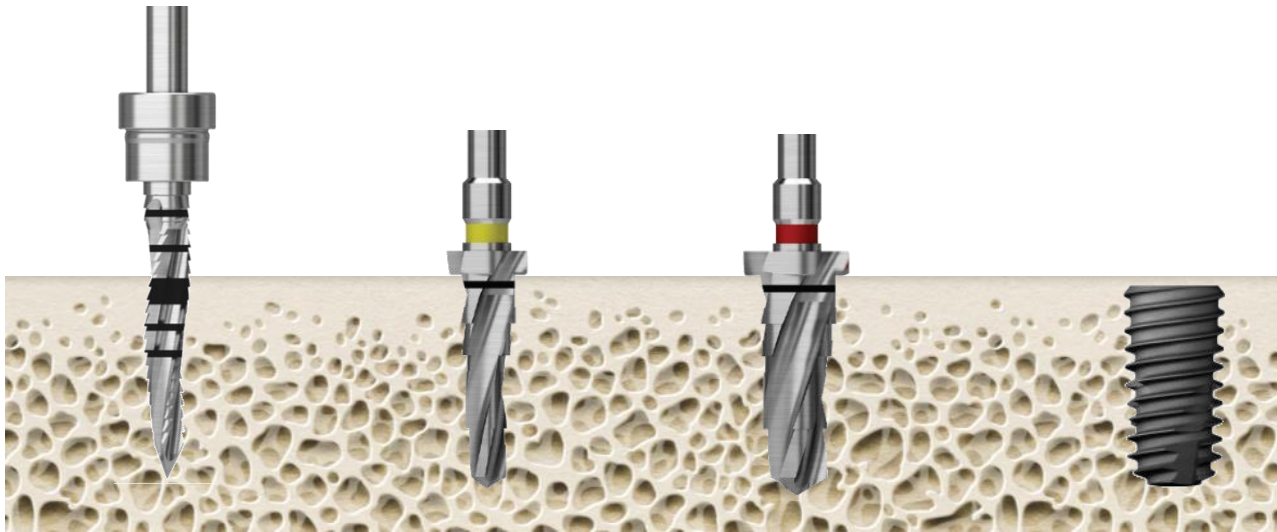


		Final Drill	
Bone quality	Guide Drill	F4.5 Taper Drill	Implanting
Soft	▶	▶	



III Ø5.0 Fixture – Normal Bone

2 steps



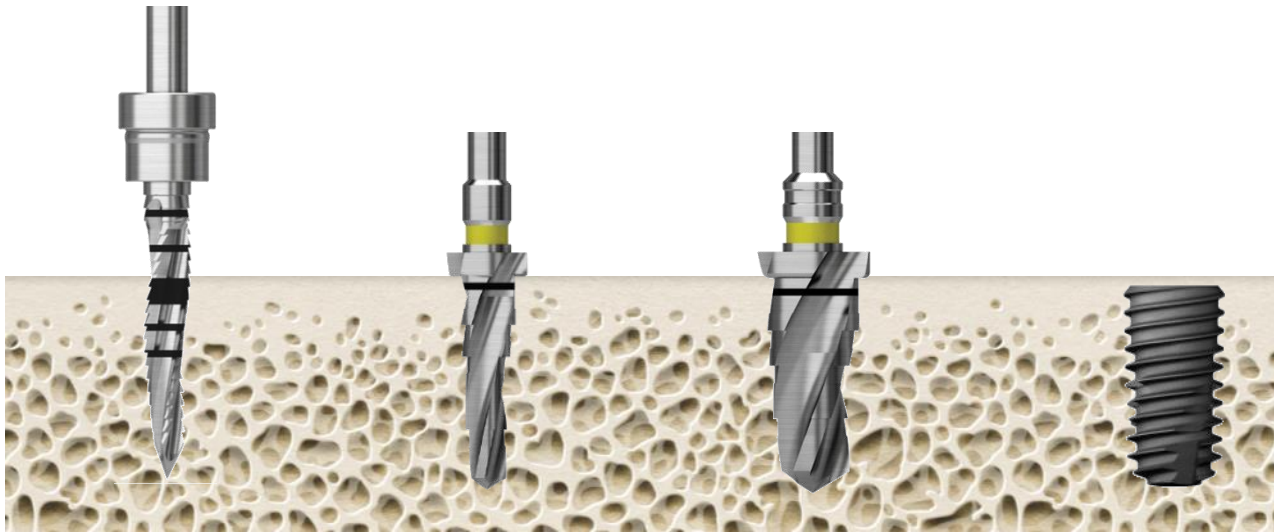
		Initial Drill	Final Drill	
Bone quality	Guide Drill	F3.5 Taper Drill	F5.0 Taper Drill	Implanting
Normal	▶	▶	▶	

III. Sequence



III Ø5.0 Fixture – Hard Bone

2 steps



		Initial Drill	Final Drill	
Bone quality	Guide Drill	F3.5 Taper Drill	F5.5 Taper Drill	Implanting
Hard	▶	▶	▶	